

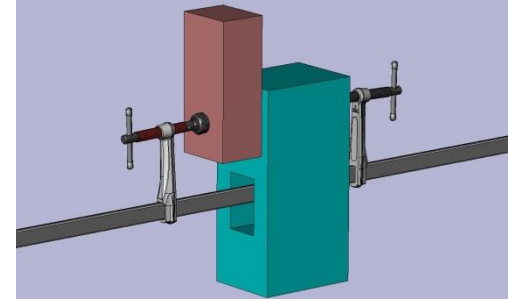
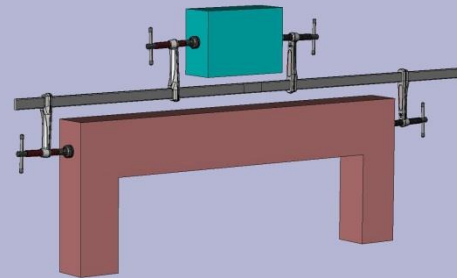
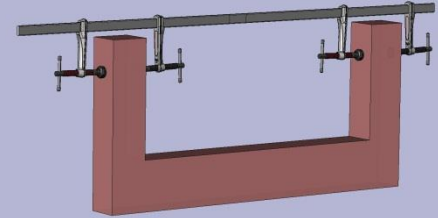
BESSEY® Product Training



BESSEY® Tools North America
SLV & GSV Double Force Clamps

Double Force All-Steel Clamps

- ❑ Modular design ensures high versatility
- ❑ Accommodates large workpiece widths
- ❑ Based on standard 28x11 mm & 30x15 mm rails
- ❑ Rails and sliding arms are interchangeable
- ❑ Suitable for clamping and spreading
- ❑ Centered positioning is possible
- ❑ Fasteners on the end of the rail are easily removeable



Double Force All-Steel Clamps



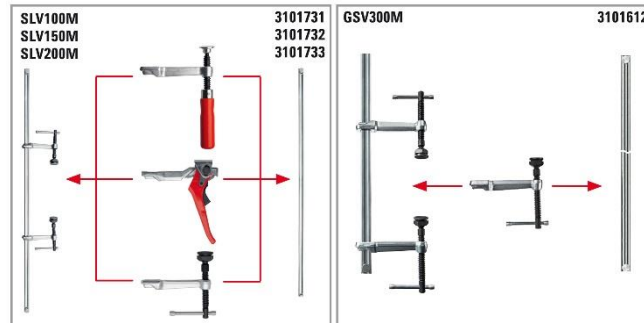
Simply better.

❑ A myriad of options

- Choose your rail style and length
- 3 Sliding arm options available
- End fastenings can be loosened without tools for rapid changeover

❑ Range

- SLV40M
- SLV100M
- SLV150M
- SLV200M
- GSV300M



❑ Target Industries

- Container, vehicle, hall and metal construction, fitters, joiners, carpenters and more

❑ Manufacturing/Packaging

- Pack quantities: 1 piece
- Country of Origin: Germany

Double Force All-Steel Clamps

| Item: | Clamp. Cap: | Depth: |
|---------|-------------|---------|
| SLV100M | 39.50 In | 4.75 In |
| SLV150M | 60.00 In | 4.75 In |
| SLV200M | 79.00 In | 4.75 In |
| GSV300M | 118.00 In | 5.50 In |

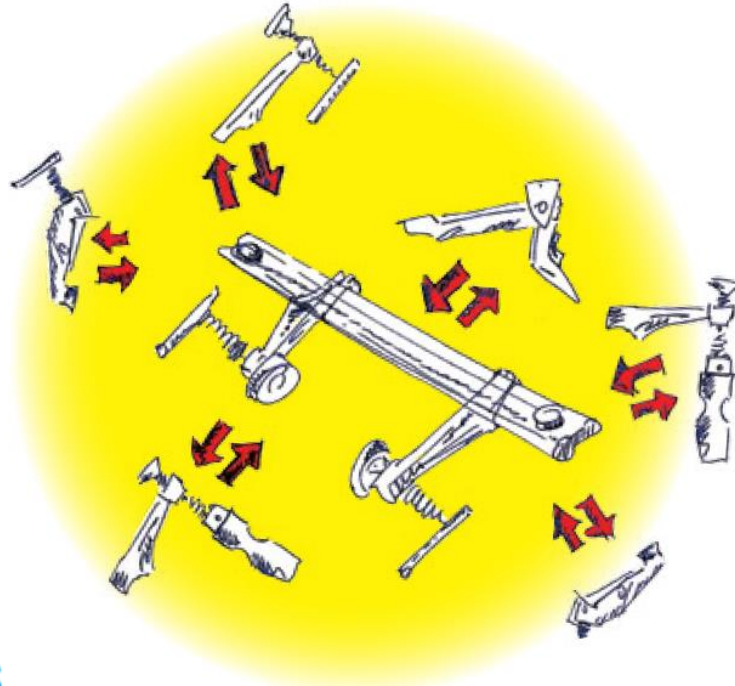
- ❑ Base clamp includes rails and sliding arms like the standard all-steel clamps. Includes T-handle and MorPad
- ❑ Other sliding arm variants can be combined easily: lever, wooden handle and T-handle with more depth



Double Force All-Steel Clamps

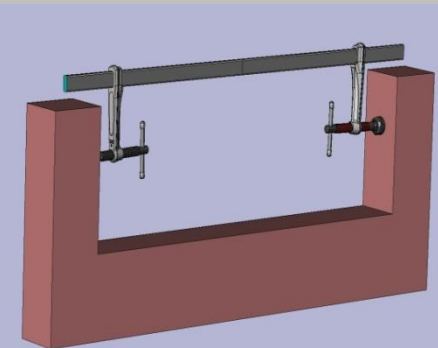
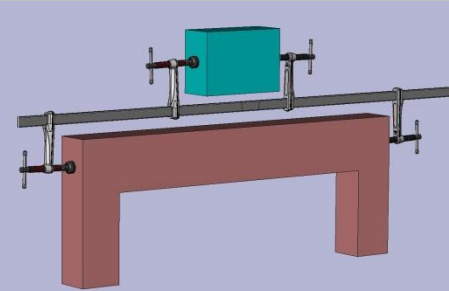
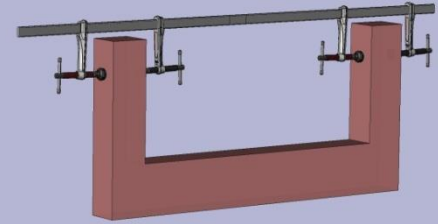


Simply better.



2 minutes
+ **4** rails
+ **6** arms

a **myriad** of options



Double Force All Steel Clamps



Simply better.

SLV Optional Arms:

- 3101426: Wooden Handle 4.75 In depth
- 3101337: Lever Handle, 4.75 In depth
- 3101338: T-Bar handle , 4.75 In depth



SLV Optional Bar Lengths:

- 3101731: 47.00 In Length
- 3101732: 67.00 In
- 3101733: 87.00 In



Double Force All Steel Clamps



Simply better.

GSV Optional Arm Accessories:

- 3101329: 4.75 In depth
- 3101330: 5.50 In
- 3101331: 7.50 In



GSV Optional Bar Lengths:

- 3101612: 130.00 In Length



Double Force All Steel Clamps



Simply better.



Double Force All Steel Clamps



Simply better.



Double Force All Steel Clamps



Simply better.



Double Force All Steel Clamps



Simply better.





Simply better.

Thank you for your attention!

BESSEY® Tools North America
