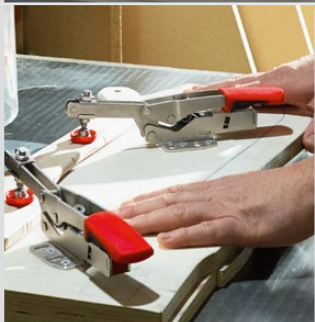
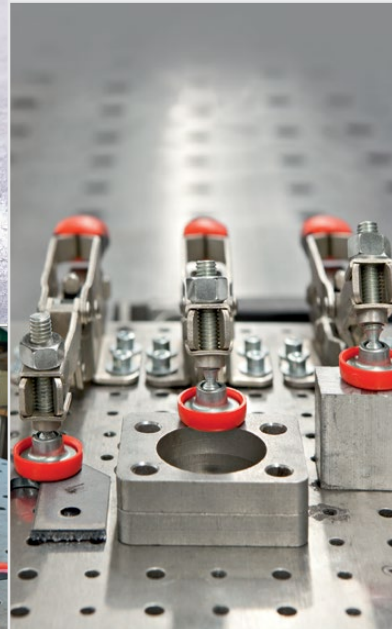


# BESSEY® Solutions

Self-adjusting toggle clamps STC, 2021-2022



# Self-adjusting toggle clamp solutions



## Vertical toggle clamp STC-VH

with open arm and horizontal base plate

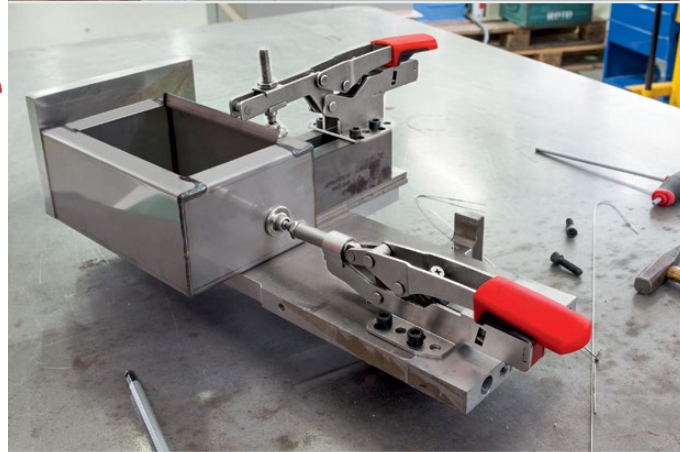
- Lever is in vertical clamping position
- Auto-adjustment of the jaw height up to 35 mm while maintaining clamping force
- Adjustable clamping force up to 550 lbs, based on the adjusting screw in the joint
- Sturdy, tempered sheet steel for longer service life and high quality, oil-resistant two-component plastic handle
- Adaptable base plate hole pattern: millimetres and inches



## Inline toggle clamp STC-IHH

with flanged base plate

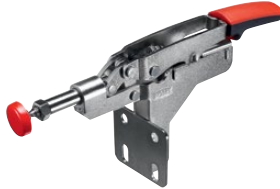
- Moving the handle moves the push-pull rod
- Automatic & infinitely variable adjustment of the clamping height up to 13 mm while maintaining clamping force
- Adjustable clamping force up to 550 lbs, based on the adjusting screw in the joint
- Sturdy, tempered sheet steel for longer service life and high quality, oil-resistant two-component plastic handle
- Adaptable base plate hole pattern: millimetres and inches



## Inline toggle clamp STC-IHA

with angled base plate

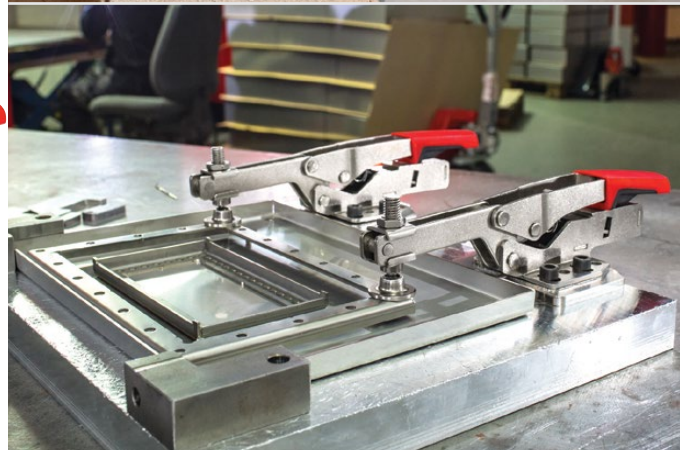
- Moving the handle moves the push-pull rod
- Automatic & infinitely variable adjustment of the clamping height up to 13 mm while maintaining clamping force
- Adjustable clamping force up to 250 lbs, based on the adjusting screw in the joint
- Sturdy, tempered sheet steel for longer service life and high quality, oil-resistant two-component plastic handle
- Adaptable base plate hole pattern: millimetres and inches



## Horizontal toggle clamp STC-HH

with open arm and horizontal base plate

- In the clamped position, the lever is horizontal
- Automatic & infinitely variable adjustment of the clamping height up to 35 mm while maintaining clamping force
- Adjustable clamping force up to 550 lbs, based on the adjusting screw in the joint
- Adaptable base plate hole pattern: millimetres and inches

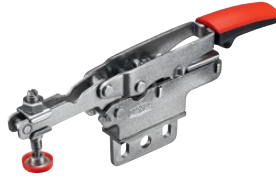


# Self-adjusting toggle clamp solutions



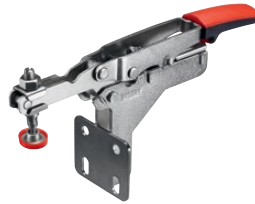
## Horizontal toggle clamp STC-HV with vertical base plate

- In the clamped position, the lever is horizontal
- Automatic & infinitely variable adjustment of the clamping height up to 20 mm while maintaining clamping force
- Adjustable clamping force up to 250 lbs, based on the adjusting screw in the joint
- Adaptable base plate hole pattern: millimetres and inches



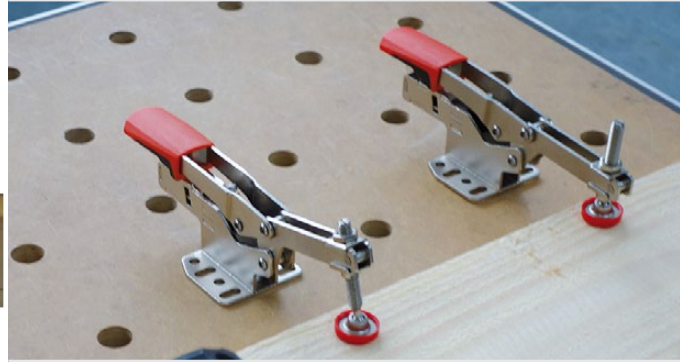
## Horizontal toggle clamp STC-HA with angled base plate

- In the clamped position, the lever is horizontal
- Automatic & infinitely variable adjustment of the clamping height up to 20 mm while maintaining clamping force
- Adjustable clamping force up to 250 lbs, based on the adjusting screw in the joint
- Adaptable base plate hole pattern: millimetres and inches



## Adapter for multifunction tables STC-SET-T20

- Special adapters for BESSEY toggle clamps for use on multifunction tables (MFT)
- Large, easy to handle, knurled plastic knob
- Use on BESSEY Auto Adjust toggle clamps with horizontal base plates
- Works with matrix tables having 20 mm diameter holes
- Ideal for work surfaces 19 to 25 mm thick.



## Toggle clamp adapter TWA-STC

- Accessory for BESSEY STC toggle clamp with horizontal base plate
- With bolt – for use directly on the welding table
- Without bolt – for screwing to the extension TWX
- Suitable for STC-HH, STC-IHH, STC-VH



## Welding table extension TWX

- Accessory for BESSEY toggle clamp adapter TWA-STC, TWVAD and TW28AV
- Lowering of round workpieces is infinitely adjustable using the adjusting ring in 8 x 40 mm flat head screw the table
- Use with TWVAD - requires one 8 x 40 mm flat head screw



CAD available on-line at [besseytools.com](http://besseytools.com)

# Self-adjusting toggle clamp solutions

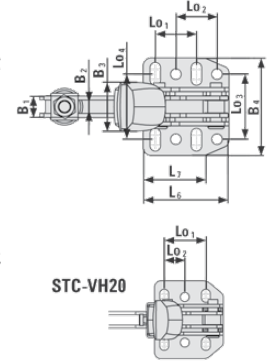
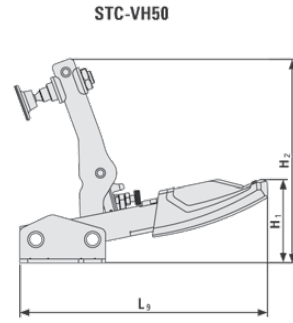
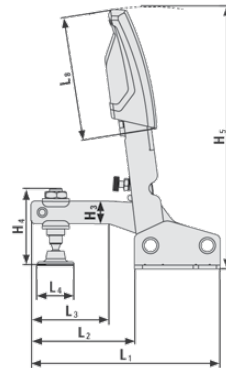


STC charts – CAD available on-line at [besseytools.com](http://besseytools.com)

## Vertical toggle with open arm and horizontal base plate



	Clamping Capacity	Automatic Adjust	Nominal Clamping Force Range	Holding Capacity	Approx. Weight
STC-VH20	13/16"	3/4"	25 - 250 lbs*	450 lbs	0.44 lbs
STC-VH50	1 9/16"	1 3/8"	25 - 550 lbs*	700 lbs	0.94 lbs
3101627	STC-VH20 Spindle service part set				
3101589	STC-VH50 Spindle service part set				

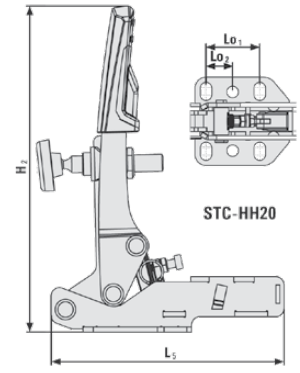
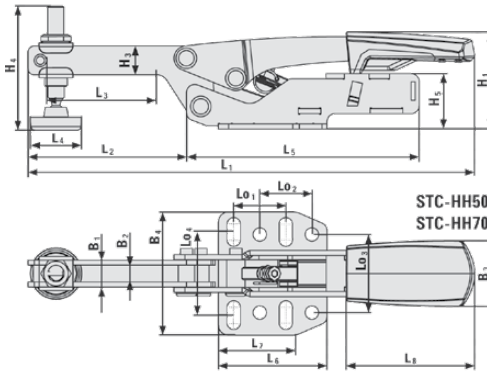


	Total Length	Length of extension arm	Spindle adjustment range	Pressure plate diameter	Length of base	Length of base plate 1	Length of base plate 2	Length of 2-comp handle	Length of handle (open)	Height of handle (closed)	Height of handle (open)	Height of extension arm	Height of spindle, cpl.	Height of base	Width of extension arm (external)	Width of extension arm (internal)	Width of 2-comp. handle	Width of base plate	Length of hole spacing 1	Length of hole spacing 2	Length of hole spacing 3	Width of elongated hole	Diameter of hole
	L1	L2	L3	L4	L5	L6	L7	L8	L9	H1	H2	H3	H4	H5	B1	B2	B3	B4	Lo1	Lo2	Lo3	Lo4	Ø
STC-VH20	3.62"	1.97"	0.79"	0.63"	—	1.69"	1.38"	2.36"	4.84"	1.61"	3.94"	0.39"	1.65"	5.08"	0.39"	0.24"	0.94"	1.89"	1.02"	0.51"	1.10"	1.06-1.26"	0.22"
STC-VH50	4.57"	2.48"	1.57"	0.91"	—	2.09"	1.73"	2.99"	6.06"	2.05"	4.96"	0.55"	1.97"	6.38"	0.52"	0.32"	1.18"	2.36"	1.00"	1.00"	1.57"	1.30-1.89"	0.26"

## Horizontal toggle with flanged base plate

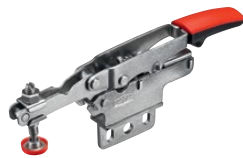


	Clamping Capacity	Automatic Adjust	Nominal Clamping Force Range	Holding Capacity	Approx. Weight
STC-HH20	13/16"	3/4"	25 - 250 lbs*	450 lbs	0.43 lbs
STC-HH50	1 9/16"	1 3/8"	25 - 550 lbs*	700 lbs	0.81 lbs
STC-HH70	2 3/8"	1 3/8"	25 - 550 lbs*	700 lbs	1.00 lbs
3101627	STC-HH20 Spindle service part set				
3101589	STC-HH50 Spindle service part set				
3101588	STC-HH70 Spindle service part set				

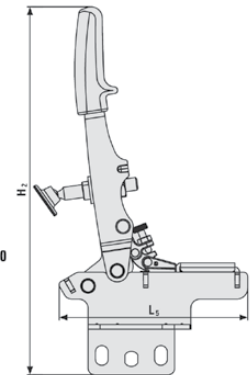
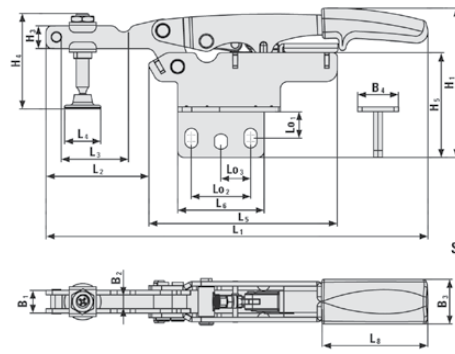


	Total Length	Length of extension arm	Spindle adjustment range	Pressure plate diameter	Length of base	Length of base plate 1	Length of base plate 2	Length of 2-comp handle	Height of handle (closed)	Height of handle (open)	Height of extension arm	Height of spindle, cpl.	Height of base	Width of extension arm (external)	Width of extension arm (internal)	Width of 2-comp. handle	Width of base plate	Length of hole spacing 1	Length of hole spacing 2	Length of hole spacing 3	Width of elongated hole	Diameter of hole
	L1	L2	L3	L4	L5	L6	L7	L8	H1	H2	H3	H4	H5	B1	B2	B3	B4	Lo1	Lo2	Lo3	Lo4	Ø
STC-HH20	6.57"	1.77"	0.79"	0.63"	3.27"	1.77"	1.38"	1.81"	1.73"	5.59"	0.39"	1.65"	0.98"	0.39"	0.24"	0.79"	1.65"	1.02"	0.51"	1.10"	1.02-1.25"	0.22"
STC-HH50	8.54"	3.03"	1.57"	0.91"	4.45"	2.09"	1.50"	2.83"	1.85"	6.22"	0.55"	1.97"	1.06"	0.51"	0.31"	1.26"	2.36"	1.00"	1.00"	1.50"	1.30-1.89"	0.26"
STC-HH70	8.54"	3.03"	1.57"	0.91"	4.45"	2.09"	1.50"	2.83"	2.52"	6.89"	0.55"	2.68"	1.73"	0.51"	0.31"	1.26"	2.36"	1.00"	1.00"	1.50"	1.30-1.89"	0.26"

## Horizontal toggle with open arm and vertical base plate



	Clamping Capacity	Automatic Adjust	Nominal Clamping Force Range	Holding Capacity	Approx. Weight
STC-HV20	13/16"	3/4"	25 - 250 lbs*	450 lbs	0.45 lbs
3101627	STC-HV20 Spindle service part set				



	Total Length	Length of extension arm	Spindle adjustment range	Pressure plate diameter	Length of base	Length of base plate 1	Length of base plate 2	Length of 2-comp handle	Height of handle (closed)	Height of handle (open)	Height of extension arm	Height of spindle, cpl.	Height of base	Width of extension arm (external)	Width of extension arm (internal)	Width of 2-comp. handle	Width of base plate	Length of hole spacing 1	Length of hole spacing 2	Length of hole spacing 3	Width of elongated hole	Diameter of hole
	L1	L2	L3	L4	L5	L6	L7	L8	H1	H2	H3	H4	H5	B1	B2	B3	B4	Lo1	Lo2	Lo3	Lo4	Ø
STC-HV20	6.57"	1.77"	0.79"	0.63"	3.27"	1.50"	—	1.81"	2.56"	6.38"	0.39"	1.65"	1.77"	0.39"	0.24"	0.79"	0.71"	0.39-0.51"	1.02"	0.51"	—	0.22"

\* Variable and dependent on spindle settings, pressure screw setting, force applied etc. Some small spindle adjustments may be required to achieve maximum clamping opening.

# Self-adjusting toggle clamp solutions



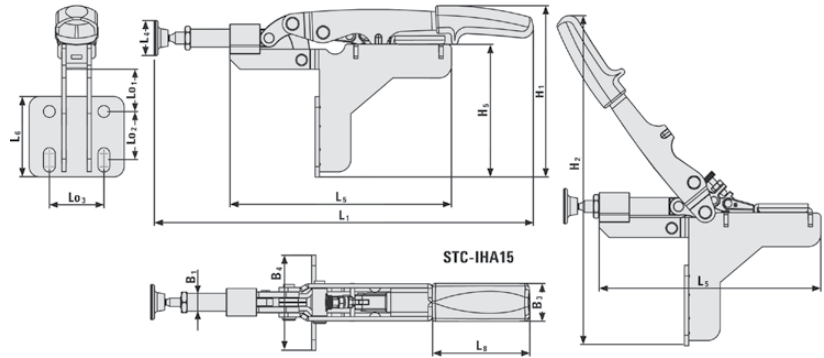
STC charts – CAD available on-line at [besseytools.com](http://besseytools.com)

## Inline toggle with angled base plate



**STC-IHA15**  
**3101627**

Clamping Capacity: 3/8"  
Automatic Adjust: 5/16"  
Nominal Clamping Force Range: 25 - 250 lbs\*  
Holding Capacity: 450 lbs  
Approx. Weight: 0.48 lbs  
STC-IHA15 Spindle service part set



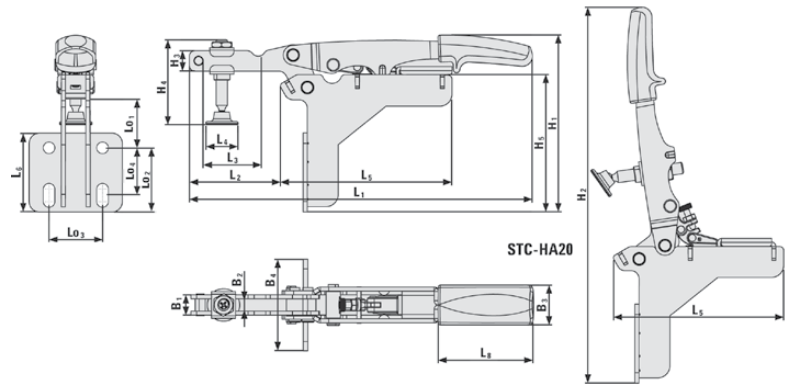
	Total Length	Length of extension arm	Spindle adjustment range	Pressure plate diameter	Length of base	Length of base plate 1	Length of base plate 2	Length of 2-comp handle	Height of handle (closed)	Height of handle (open)	Height of extension arm	Height of spindle, cpl.	Height of base	Height to spindle centre	Width of extension arm (external)	Width of extension arm (internal)	Width of 2-comp. handle	Width of base plate	Length of hole spacing 1	Length of hole spacing 2	Length of hole spacing 3	Diameter of hole
	L1	L2	L3	L4	L5	L6	L7	L8	H1	H2	H3	H4	H5	H6	B1	B2	B3	B4	Lo1	Lo2	Lo3	Ø
STC-IHA15	7.13"	-	-	0.63"	4.13"	1.496"	-	1.81"	3.19"	5.87"	-	-	2.48"	1.37"	0.33"	-	0.79"	1.77"	0.81"	0.79-1.02"	1.125"	0.22"

## Horizontal toggle with open arm and angled base plate



**STC-HA20**  
**3101627**

Clamping Capacity: 13/16"  
Automatic Adjust: 3/4"  
Nominal Clamping Force Range: 25 - 250 lbs\*  
Holding Capacity: 450 lbs  
Approx. Weight: 0.48 lbs  
STC-HA20 Spindle service part set



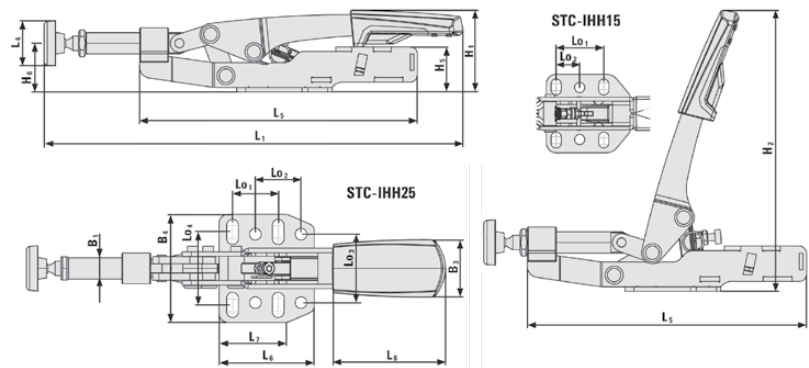
	Total Length	Length of extension arm	Spindle adjustment range	Pressure plate diameter	Length of base	Length of base plate 1	Length of base plate 2	Length of 2-comp handle	Height of handle (closed)	Height of handle (open)	Height of extension arm	Height of spindle, cpl.	Height of base	Width of extension arm (external)	Width of extension arm (internal)	Width of 2-comp. handle	Width of base plate	Length of hole spacing 1	Length of hole spacing 2	Length of hole spacing 3	Width of elongated hole	Diameter of hole
	L1	L2	L3	L4	L5	L6	L7	L8	H1	H2	H3	H4	H5	B1	B2	B3	B4	Lo1	Lo2	Lo3	Lo4	Ø
STC-HA20	6.57"	1.77"	0.79"	0.63"	3.27"	1.50"	-	1.81"	3.35"	7.13"	0.39"	1.65"	2.60"	0.39"	0.24"	0.79"	1.77"	0.39-1.18"	0.79-1.02"	1.02"	-	0.22"

## Inline toggle with flanged base plate



**STC-IHH15**  
**STC-IHH25**  
**3101627**  
**3101589**

Clamping Capacity: 3/8"  
Automatic Adjust: 5/16"  
Nominal Clamping Force Range: 25 - 250 lbs\*  
Holding Capacity: 450 lbs  
Approx. Weight: 0.41 lbs  
Clamping Capacity: 3/8"  
Automatic Adjust: 1/2"  
Nominal Clamping Force Range: 25 - 250 lbs\*  
Holding Capacity: 700 lbs  
Approx. Weight: 0.88 lbs  
STC-IHH15 Spindle service part set  
STC-IHH25 Spindle service part set



	Total Length	Length of extension arm	Spindle adjustment range	Pressure plate diameter	Length of base	Length of base plate 1	Length of base plate 2	Length of 2-comp handle	Height of handle (closed)	Height of handle (open)	Height of extension arm	Height of spindle, cpl.	Height of base	Height to spindle centre	Width of extension arm (external)	Width of extension arm (internal)	Width of 2-comp. handle	Width of base plate	Length of hole spacing 1	Length of hole spacing 2	Length of hole spacing 3	Width of elongated hole	Diameter of hole
	L1	L2	L3	L4	L5	L6	L7	L8	H1	H2	H3	H4	H5	H6	B1	B2	B3	B4	Lo1	Lo2	Lo3	Lo4	Ø
STC-IHH15	7.13"	-	-	0.7362"	4.803"	1.693"	1.26"	1.969"	1.417"	4.803"	-	-	0.7874"	0.8504"	0.3346"	-	1.024"	1.89"	1.02"	0.51"	1.10"	1.063-1.25"	0.22"
STC-IHH25	9.17"	-	-	0.97"	6.06"	2.09"	1.50"	2.87"	1.81"	6.10"	-	-	0.98"	1.06"	0.47"	-	1.26"	2.36"	1.00"	1.00"	1.50"	1.30-1.89"	0.26"